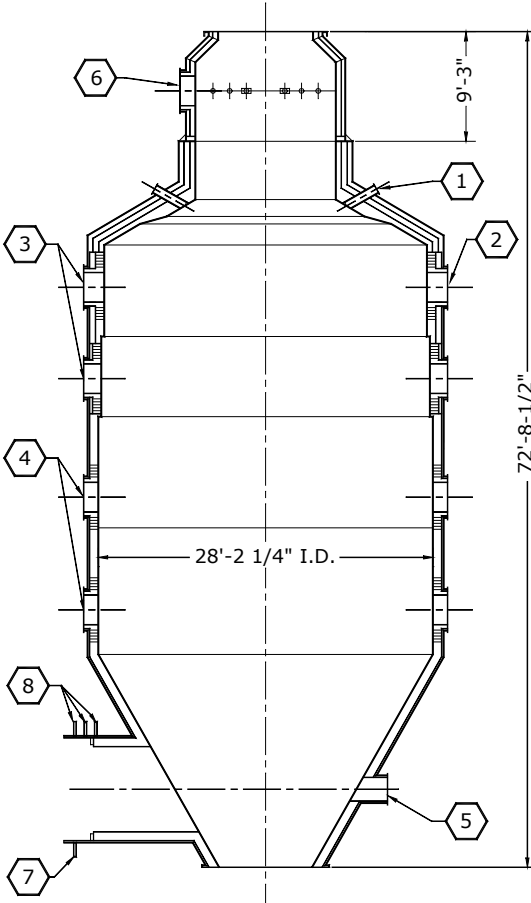


Service: (1) Cool incinerator offgas to 425 °F
 (2) Spray Dry scrubber blow down dissolved solids to dry powder

Size: Overall Vessel Height: 72' 8-1/2" Diameter varies:
 At top entrance 8'-0" I.D.
 Top Thimble 11'-1" I.D.
 Main Section: 27' 2-1/4" – 28' 2-1/4" (varies in height)



Operating and Mechanical

Design Press: -30 to +12" W.C.
 Design Gas Inlet Temp: 2372 °F max
 Oper Temp.: differs at different heights

Materials

Steel Vessel, Refractory Lined
 Top Thimble: Inside layer of abrasion resistant high temperature brick; Outer layer of insulating refractory.
 Main Section: Inside layer of abrasion resistant high temperature brick, Outer middle Layer of foamglass refractory, Outer layer of acid resistant mastic.

Nozzles

Service	Number	Size	Mark
Upper Sprays	16	4-1/2" dia	1
Lower Sprays	24	4-1/2" dia	2
Man Door	12	15" X 24"	3
Man Door	12	17" X 39"	4
Man Door	1	24" dia	5
Service Door	1	17" X 39"	6
Pressure Tap	1	1" dia	7
T.C. taps	3	1" dia	8

Spray Nozzles

Type: High Pressure Single Fluid
 Delevan SDX-SF 160; Bete TD6-157 or equal